

DATASHEET

VECTRON POS LIFE



VECTRON

System concept

The Vectron POS Life is a perfect Android POS concept for all business transactions in retail and catering. The intelligent all-in-one design, consisting of a 10.1" HD touchscreen, integrated 80mm receipt printer and integrated 2.4" customer display, enables fast and efficient work. In combination with the Vectron POS software, the POS Life impresses with its performance and simple and intuitive sales processes.

The POS Life allows the integration of digital services such as the digital receipt for less paper in the processes, the POS backup for more security, archiving and reporting functions as well as the connection to the reporting app for real-time analyses on the smartphone.

Hardware

Technical data of the Vectron POS Life POS system

Display diagonal main display	254 mm (10.1")
Display type	TFT-LCD
Display lighting	LED
Display size (active)	217 x 135 mm
Display resolution	1280 x 800 Pixel
Input	Capacitive multi touchscreen
Display diagonal second display	50.8 mm (2.4")
Display type	TFT-LCD
Display lighting	LED
Display resolution	240 x 320 Pixel
Housing	Plastic
Processor	6 x A55, 2.0GHz
Main memory	2GB RAM
Mass storage	16 GB ROM
Interfaces	1x RJ11, 1x RJ22(12-24V), 1x RJ45, 2x USB Type A, 1x SIM, 1x PSAM
WiFi	802.11a/b/g/n/ac (2,4 GHz / 5GHz)
Wireless network	2G/3G/4G
Bluetooth	5.0
Camera	0,3 MP,FF
Audio	1 microphone, 1 loudspeaker
Power supply	Power supply AC100-240V, DC 24V / 2,5A
Temperature	storage: -20°C to +60°C operation: -0°C to +40°C humidity: 10 to 90% (non condensing)
Dimensions (W x H x D)	247,8 x 198,8 x 134,3 mm
Weight	2183 g incl. power supply
Certified	CE, UKCA, FCC
Warranty period	12 months warranty

Software

Usable software	Android 11
	Vectron
myVectron	Cloud-based myVectron services; integrated customer loyalty tools (e. g. individual campaigns, automatic processing of collection points, discount campaigns, vouchers)

Scope of delivery

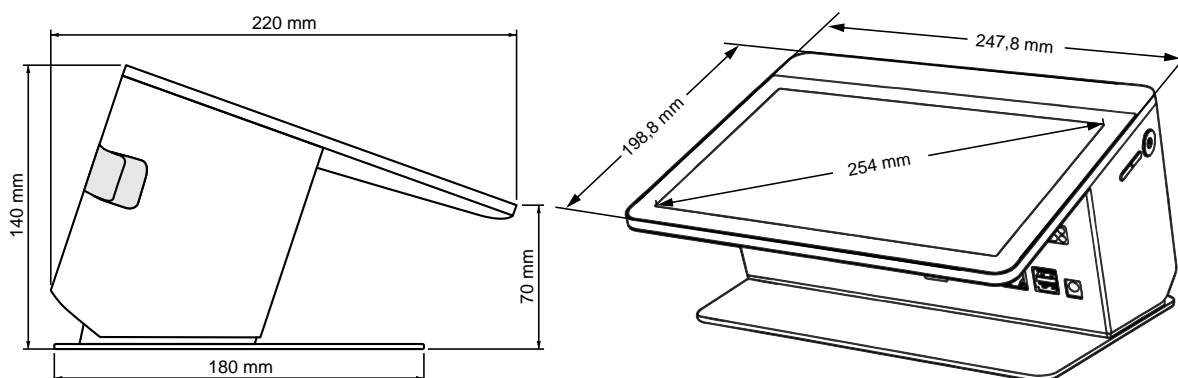
Vectron POS Life

Standard shipment	Vectron POS Life POS system
	EU plug-in power supply with cable
	Security and installation instructions

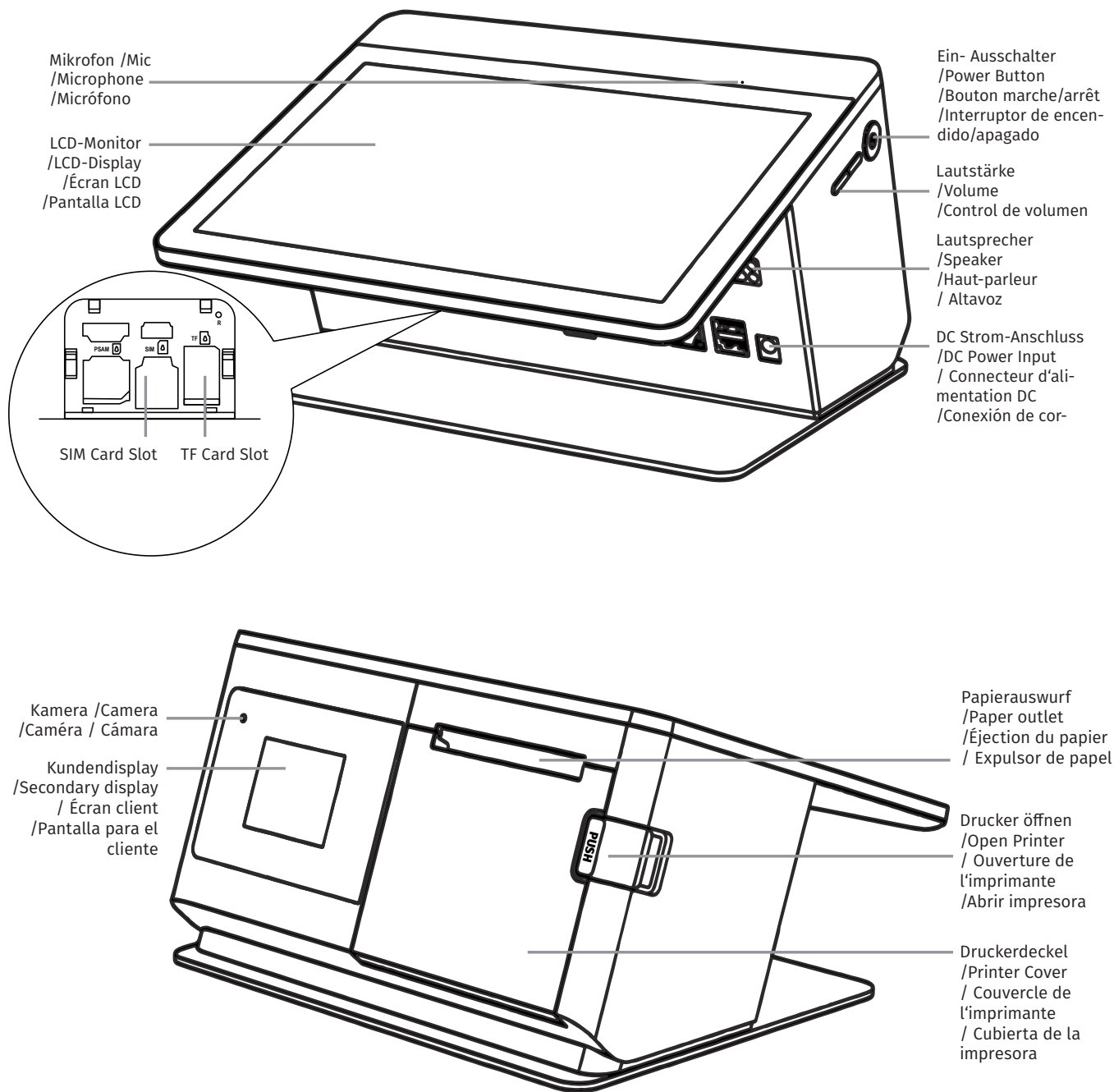
Dimensions

Vectron POS Life

(L x W x H): 246,8 x 140 x 220 mm



Components



EU-Konformitätserklärung

Hersteller Vectron Systems AG
 Willy-Brandt-Weg 41
 D-48155 Münster

Geräteart Stationäres Kassensystem
 Typenbezeichnung **Vectron POS Life**

Der Hersteller erklärt, dass das oben genannte Produkt gemäß Richtlinie RED 2014/53/EU den wesentlichen Schutzanforderungen entspricht, die in den Richtlinien des Rates über elektrische und elektronische Produkte festgelegt sind. Zur Bewertung wurden die nachstehend angeführten Prüfstandards herangezogen, die unter den relevanten Richtlinien harmonisiert sind:

Richtlinie	Prüfstandard
2014/30/EG EMV Richtlinie	EN 55032 Kl. B:2012; EN 55024:2010, EN 61000-3-2:2014; EN 61000-3-3:2013
2014/35/EG Niederspannungs- richtlinie	EN 60950-1:2006+A11:2009+A12:2011+A1:2010+A2:2013
2011/65/EU Restriction of the use of certain hazardous substances (RoHS)	EN 50581:2012

Diese Erklärung wird verantwortlich für den in der Europäischen Union ansässigen Hersteller abgegeben.

Münster, den 21.02.2024


 Thomas Stümmler
 Vorstand


 Dr. Ralf-Peter Simon
 Vorstand

EU Declaration of Conformity for Radio Equipment Directive 2014/53/EU Services

Imin Technology Pte LTD. hereby, declare that the essential requirements set out in the Radio Equipment Directive 2014/53/EU Services have been fully fulfilled on our product with indication below:

Product Name: POS Device
 Model: I22T01

Brand Name: **imin**

Address: 11 Bishan Street 21, #03-05 Bosch Building, Singapore 573943

That the equipment is in conformity with the following relevant Union harmonisation legislation:

Directive 2014/53/EU relating to radio and that the equipment is in conformity with the following harmonised standards and/or other normative documents or technical specifications:

- ETSI EN 301 489-1 V2.2.3:2019;
- ETSI EN 301 489-3 V2.1.1:2019;
- ETSI EN 301 489-17 V3.2.4:2020;
- ETSI EN 301 489-19 V2.1.1:2019
- ETSI EN 301 489-52 V1.2.1:2021;
- EN 55032:2015+A11:2020+A1:2020;
- EN 55035:2017+A11:2020;
- EN IEC 61000-3-2:2019+A1:2021;
- EN 61000-3-3:2013+A1:2019;
- ETSI EN 300 328 V2.2.2:2019;
- ETSI EN 301 893 V2.1.1:2017;
- ETSI EN 300 440 V2.2.1:2018;
- ETSI EN 301 511 V12.5.1:2017
- ETSI EN 301 908-1 V15.1.1:2021;
- ETSI EN 301 908-2 V13.1.1:2020;
- ETSI EN 301 908-13 V13.2.1:2022;
- ETSI EN 300 330 V2.2.1:2017;
- ETSI EN 303 413 V1.2.1:2021;
- EN IEC 62311:2020;
- EN IEC 62368-1:2014+A11:2017;

Detail contact information for this declaration has been listed below as the window of any issues relevant for this declaration.

European Representative	Company Information
Company:	Imin Technology B. V.
Address:	Louis Couperusplein 2, 2514 HP Den Haag,NL
Name/Title:	Yang Chang
Tel. No.:	+31 0629394388



Date:2022/10/06



VERIFICATION OF RED COMPLIANCE


According to Directive: 2014/53/EU
Verification No.: CTC20221207EC02
Date of Issued: Aug. 26, 2022

Applicant: Imin Technology Pte Ltd
Address: 11 Bishan Street 21, #03-05 Bosch Building, Singapore 573943
Manufacturer: Imin Technology Pte Ltd
Address: 11 Bishan Street 21, #03-05 Bosch Building, Singapore 573943
EUT Name: POS Device
Trademark: /
Model/Type reference: I22T01
Listed Model(s): /

*Based on the voluntary assessment of the product sample and technical file, we confirm that the above-mentioned product meets the requirements of the EC directive.
The CE mark as show beside can be used, under the responsibility of the manufacturer or the importer, the product is in conformity with the essential requirements of Article 3.1(a), 3.1(b) and 3.2 of Directive 2014/53/EU.*




CTC Laboratories, Inc.
Address: 2/F, Building 1 and 1-2/F, Building 2, Jiaquan Building, Guanlan High-Tech Park, Longhua District, Shenzhen, Guangdong, China
Tel.: +86-755-27521059 Fax: +86-755-27521011 Website: www.sz-ctc.org.cn




VERIFICATION OF RED COMPLIANCE

According to Directive: 2014/53/EU
Verification No.: CTC20221207EC02
Date of Issued: Aug. 26, 2022

ANNEX
A. Essential Requirements Assessed And Test Reports

Essential Requirement	Applied Standards	Test Report No.	Result		
Art. 3.1(a)	Safety EN 62368-1: 2014 + A11: 2017	CTC20221207S01	Conform		
	Health EN IEC 62311: 2020	CTC20221207E22			
Art. 3.1(b)	EMC ETSI EN 301 489-1 V2.2.3: 2019-11 ETSI EN 301 489-3 V2.1.1: 2019-03 ETSI EN 301 489-17 V3.2.4: 2020-09 ETSI EN 301 489-19 V2.1.1: 2019-04 ETSI EN 301 489-52 V1.2.1: 2021-11 EN 55032: 2015 + A11: 2020 + A1: 2020 EN 55035: 2017 + A11: 2020 EN IEC 61000-3-2: 2019 + A1: 2021 EN 61000-3-3: 2013 + A1: 2019	CTC20221207E10	Conform		
	Art. 3.2	Radio ETSI EN 300 328 V2.2.2: 2019-07		CTC20221207E11 CTC20221207E12 CTC20221207E13	Conform
		ETSI EN 301 893 V2.1.1: 2017-05		CTC20221207E14 CTC20221207E15	
		ETSI EN 300 440 V2.2.1: 2018-07		CTC20221207E16	
		ETSI EN 300 330 V2.1.1: 2017-02		CTC20221207E17	
ETSI EN 303 413 V1.2.1: 2021-04		CTC20221207E18			
ETSI EN 301 511 V12.5.1: 2017-03		CTC20221207E19			
ETSI EN 301 908-1 V15.1.1: 2021-09 ETSI EN 301 908-2 V13.1.1: 2020-06	CTC20221207E20				
ETSI EN 301 908-1 V15.1.1: 2021-09 ETSI EN 301 908-13: V13.2.1: 2022-02	CTC20221207E21				

CTC Laboratories, Inc.
Address: 2/F, Building 1 and 1-2/F, Building 2, Jiaquan Building, Guanlan High-Tech Park, Longhua District, Shenzhen, Guangdong, China
Tel.: +86-755-27521059 Fax: +86-755-27521011 Website: www.sz-ctc.org.cn




VERIFICATION OF RED COMPLIANCE

According to Directive: 2014/53/EU
Verification No.: CTC20221207EC02
Date of Issued: Aug. 26, 2022

B. Operating Frequencies And Maximum Power Emitted By Band

Radio Service	Operational Frequency (TX/RX)		Max Power (EIRP)
Bluetooth BR+EDR	F_Min: 2402MHz	F_Max: 2480MHz	8.85dBm
Bluetooth LE	F_Min: 2402MHz	F_Max: 2480MHz	9.85dBm
WLAN 2.4GHz IEEE 802.11b/g/n(20/40MHz)	F_Min: 2412MHz	F_Max: 2472MHz	18.08dBm
RLAN 5GHz IEEE 802.11a/n/ac(20/40/80MHz)	F_Min: 5180MHz	F_Max: 5240MHz	18.12dBm
	F_Min: 5260MHz	F_Max: 5320MHz	17.47dBm
	F_Min: 5500MHz	F_Max: 5700MHz	17.73dBm
SRD 5.8GHz IEEE 802.11a/n/ac(20/40/80MHz)	F_Min: 5745MHz	F_Max: 5825MHz	13.79dBm
NFC	F_Min: 13.56MHz	F_Max: 13.56MHz	33.51 dBuA/m@10m
GPS	F_Min: 1575.42MHz	F_Max: 1575.42MHz	/
GMS 900	UL: 880 ~ 915MHz	DL: 925 ~ 960MHz	29.27dBm
DCS 1800	UL: 1710 ~ 1785MHz	DL: 1805 ~ 1880MHz	31.82dBm
UTRA Band 1	UL: 1920 ~ 1980MHz	DL: 2110 ~ 2170MHz	22.54dBm

CTC Laboratories, Inc.
Address: 2/F, Building 1 and 1-2/F, Building 2, Jiaquan Building, Guanlan High-Tech Park, Longhua District, Shenzhen, Guangdong, China
Tel.: +86-755-27521059 Fax: +86-755-27521011 Website: www.sz-ctc.org.cn



VERIFICATION OF RED COMPLIANCE

According to Directive: 2014/53/EU
Verification No.: CTC20221207EC02
Date of Issued: Aug. 26, 2022

UTRA Band 8	UL: 880 ~ 915MHz	DL: 925 ~ 960MHz	23.81dBm
E-UTRA FDD Band 1	UL: 1920 ~ 1980MHz	DL: 2110 ~ 2170MHz	23.28dBm
E-UTRA FDD Band 3	UL: 1710 ~ 1785MHz	DL: 1805 ~ 1880MHz	22.85dBm
E-UTRA FDD Band 40	UL: 2302.5 ~ 2397.5MHz	DL: 2302.5 ~ 2397.5MHz	22.33dBm

N/A: Not applicable
*Conducted Power for mobile technologies and EIRP for other technologies

CTC Laboratories, Inc.
Address: 2/F, Building 1 and 1-2/F, Building 2, Jiaquan Building, Guanlan High-Tech Park, Longhua District, Shenzhen, Guangdong, China
Tel.: +86-755-27521059 Fax: +86-755-27521011 Website: www.sz-ctc.org.cn